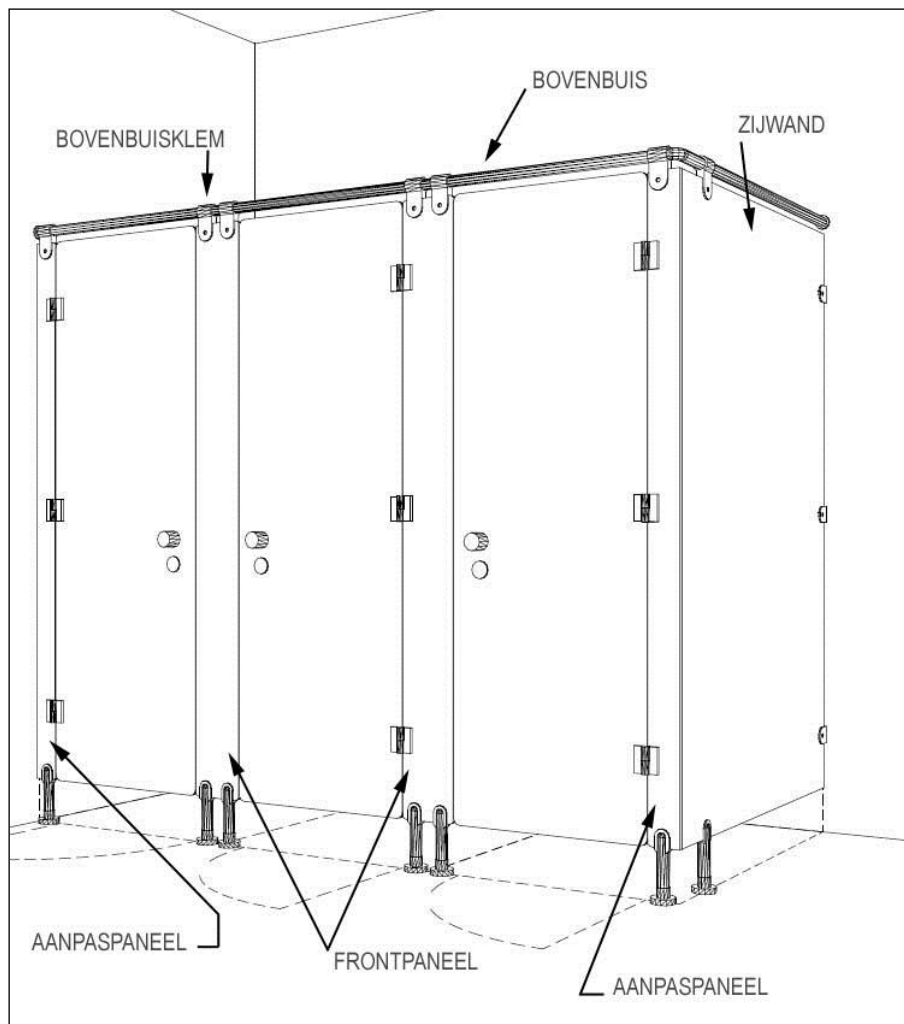


INTER-SYSTEMS

Installation instructions

SANI-CAB® DELTA

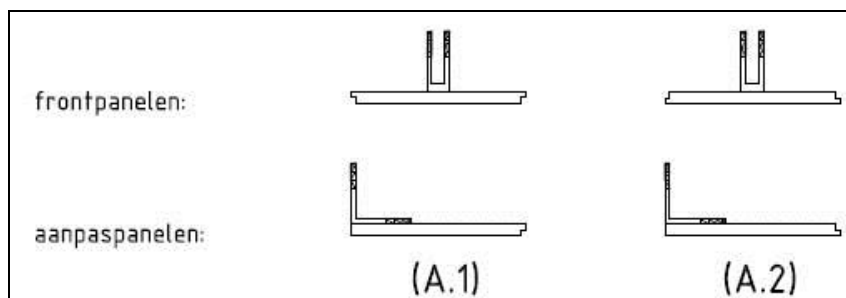


Woudstraat 3, Poort 215
B-3600 Genk
tel. (+32) 89 38 09 08
fax. (+32) 89 38 27 46
intersystems@skynet.be
www.inter-systems.be

(A) Before starting your installation...

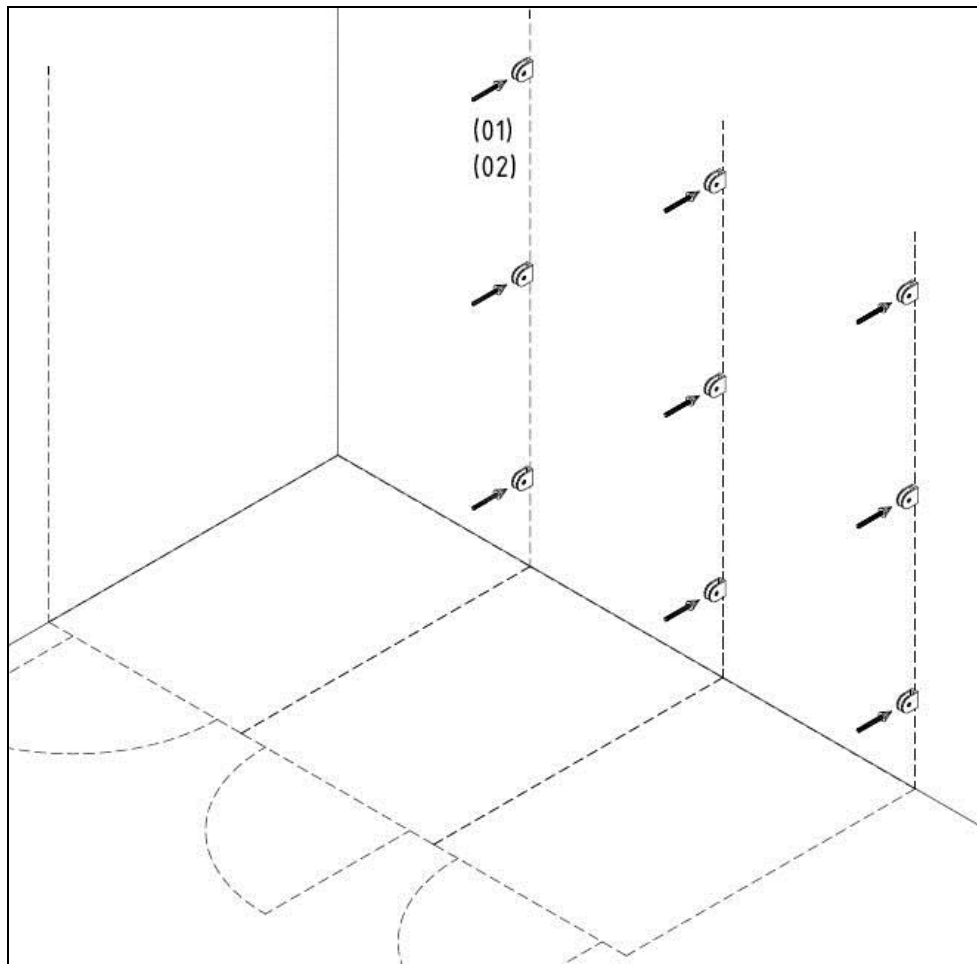
(* Fix all doorknobs, vacant/occupied locks, hinges, supports,... at the appropriate spots on the front, side, adjustment and door panels. The holes are already predrilled.

(* Fix 3 nylon U-pieces to each front panel (depending on the position: these are not necessary aligned in the middle) and 3 nylon L-pieces to the adjustment panel at the side of the existing wall, the adjustment panel at the corner has none. Here the L-pieces will be fixed to the side wall. Make sure not to drill deeper than +/- 1 cm into the panel in order to avoid damaging the front side of the panel.



(* Please note that for an outwards turning door, the rebate of the front panels will point to the outside (A.1), and for an inwards turning door, vice versa (A.2). Mount the U-profile at the right side. The turn direction also determines the position of the vacant/occupied lock: on the door (A.1) on the adjustment/front panel(A.2).

(* Always use the right type of screws, please see the list per unit on the packing.

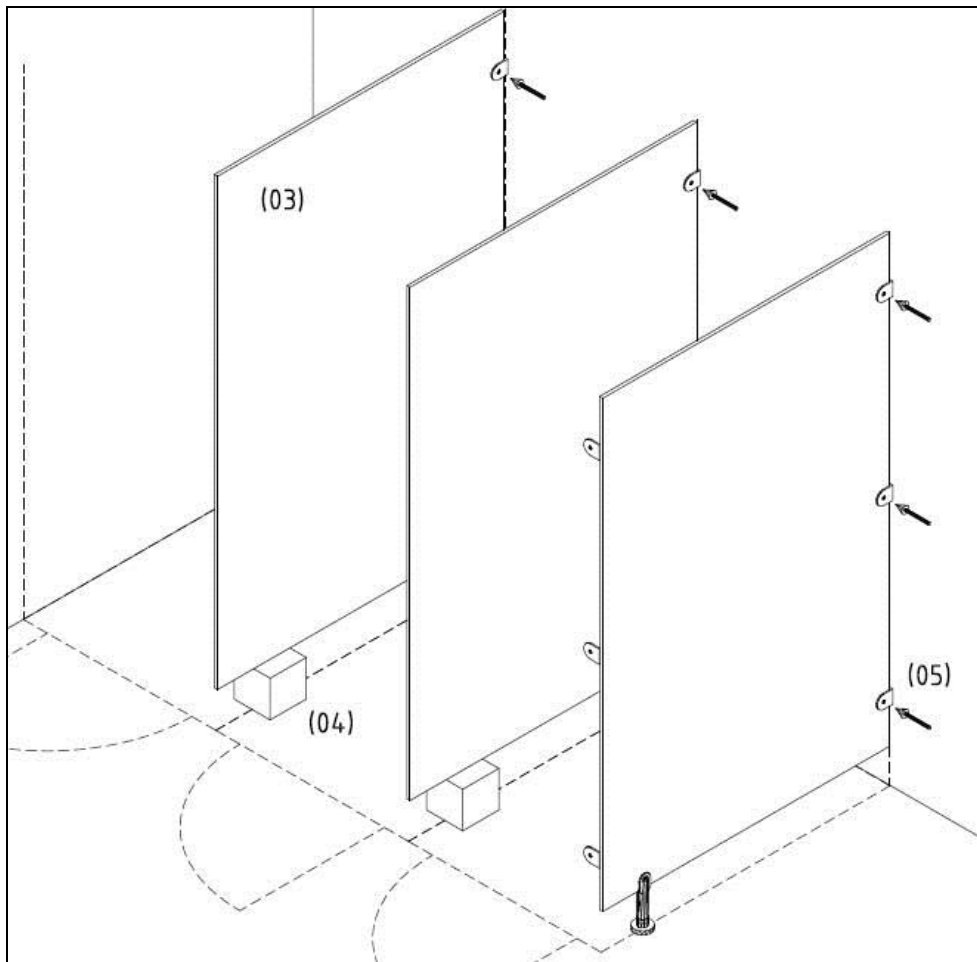


(B) MOUNT THE NYLON U-PIECES TO THE BACK WALL

(01) Measure the position where the 3 U-pieces of the intermediate walls and side wall should be fixed to the back wall.

(02) Mount the U-pieces to the back wall. Make sure they are perfectly straight and on 1 axis by using a level.

Pay attention: the holes for the connection between the Trespa panels and U-pieces are pre-drilled into the Trespa panels. Fix the 3 pieces at the right height against the wall at exactly 15 cm from the floor.

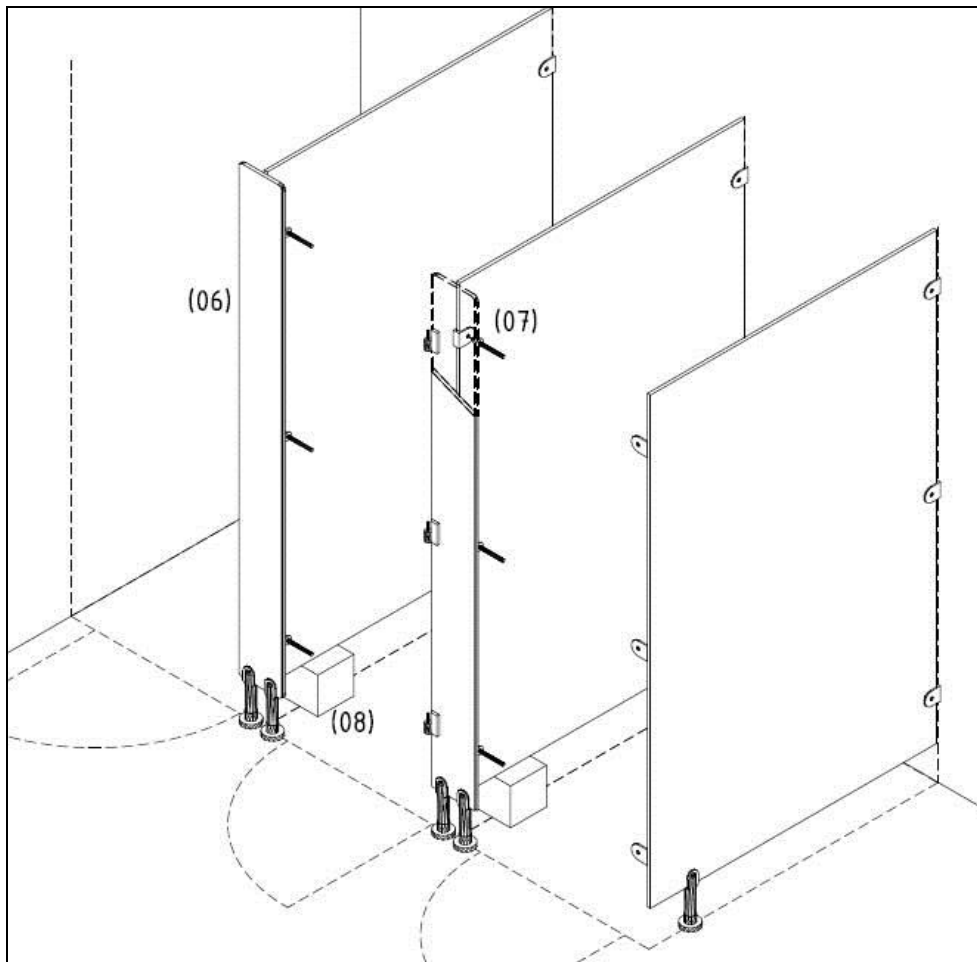


(C) MOUNTING INTERMEDIATE WALLS & SIDE WALL

(03) Slide the intermediate walls into the recently mounted nylon U-pieces.

(04) Put a bloc of exactly 15 cm height under the front of the intermediate wall as support. This is not necessary with the front wall because this one already has a support. Perfectly level the walls and adjust the support of the side wall at exactly 15 cm.

(05) Secure the wall with the supplied fixation means.

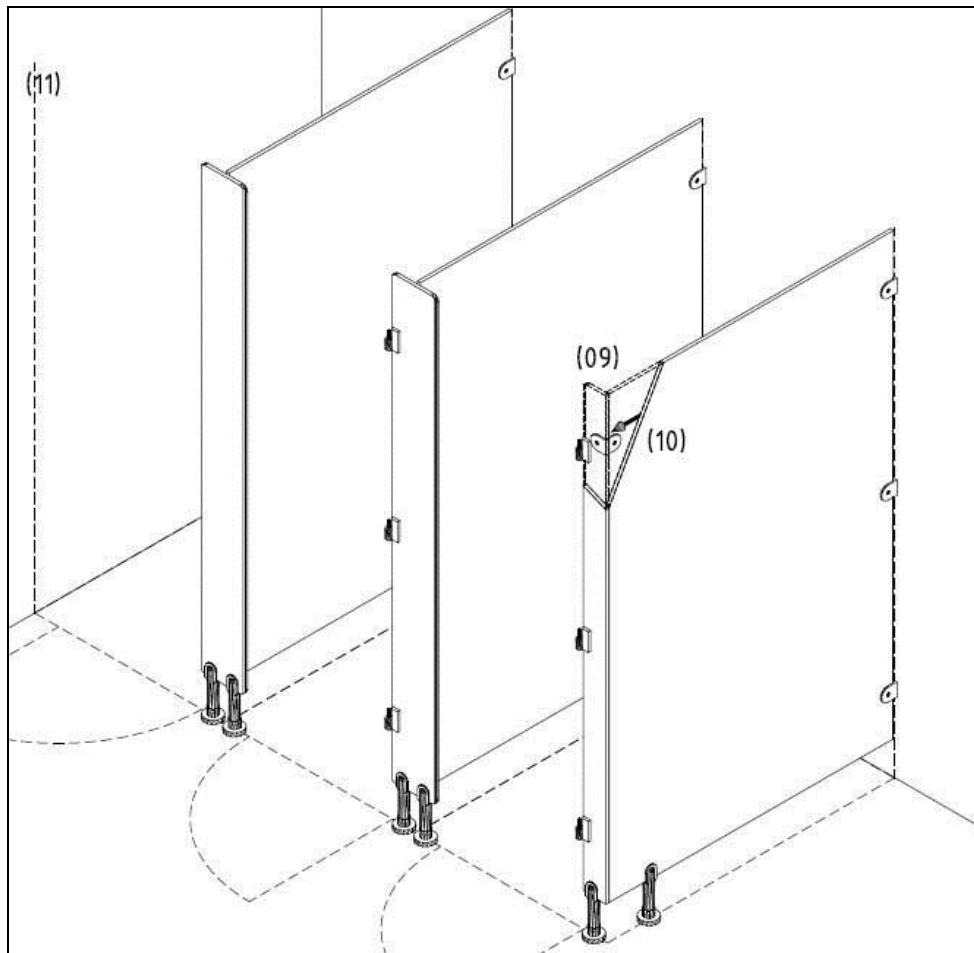


(D) MOUNTING THE FRONT PANELS

(06) Mount the front panel (with the previously fixed U-pieces) against the intermediate wall. Verify whether the bottom of both the front and intermediate panel are at the same height.

(07) Mount the intermediate panel to the front panel at the nylon U-pieces' height.

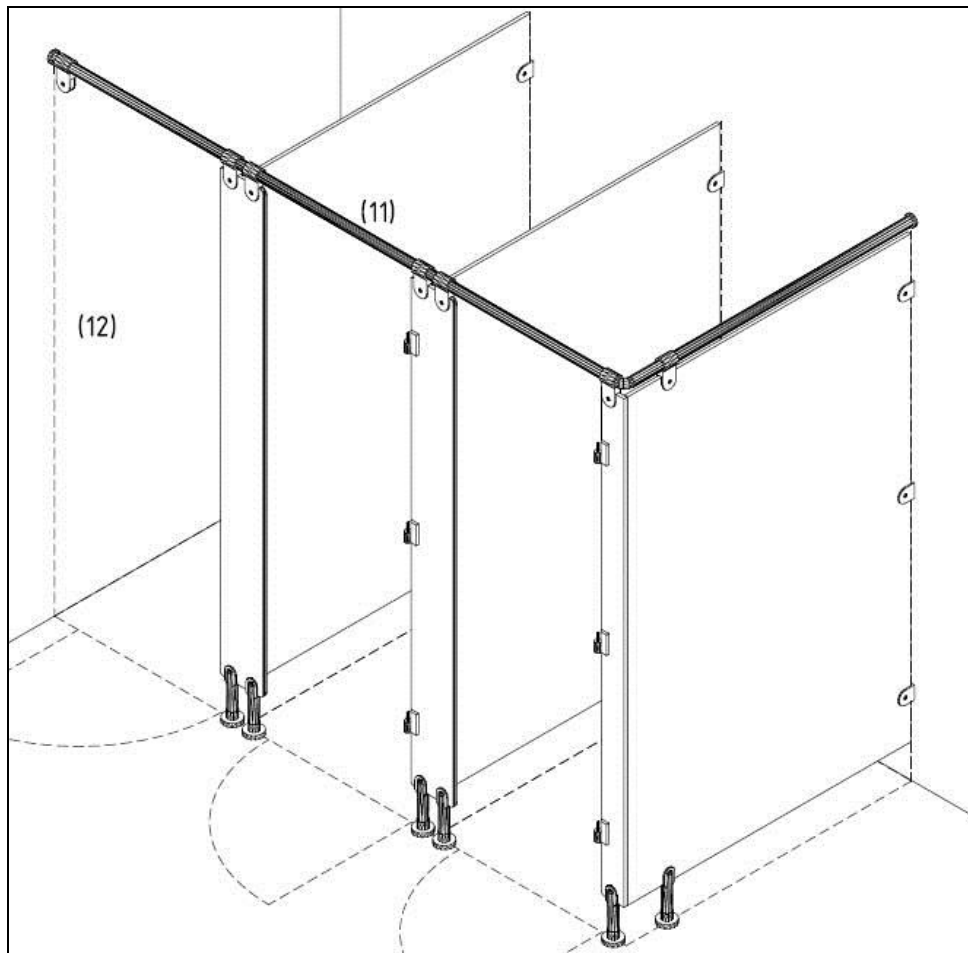
(08) After the intermediate and front panels have been connected to each other, the temporary supports may be removed.



(E) MOUNTING THE ADJUSTMENT PANEL AT CORNER'S HEIGHT

(09) Mount the adjustment panel (with support) which has no nylon L-pieces yet to the nylon L-pieces of the side wall. Please verify whether the bottom side of the front panel and side wall are at the same height.

(10) Mount the panels to each other at the nylon L-pieces' height.

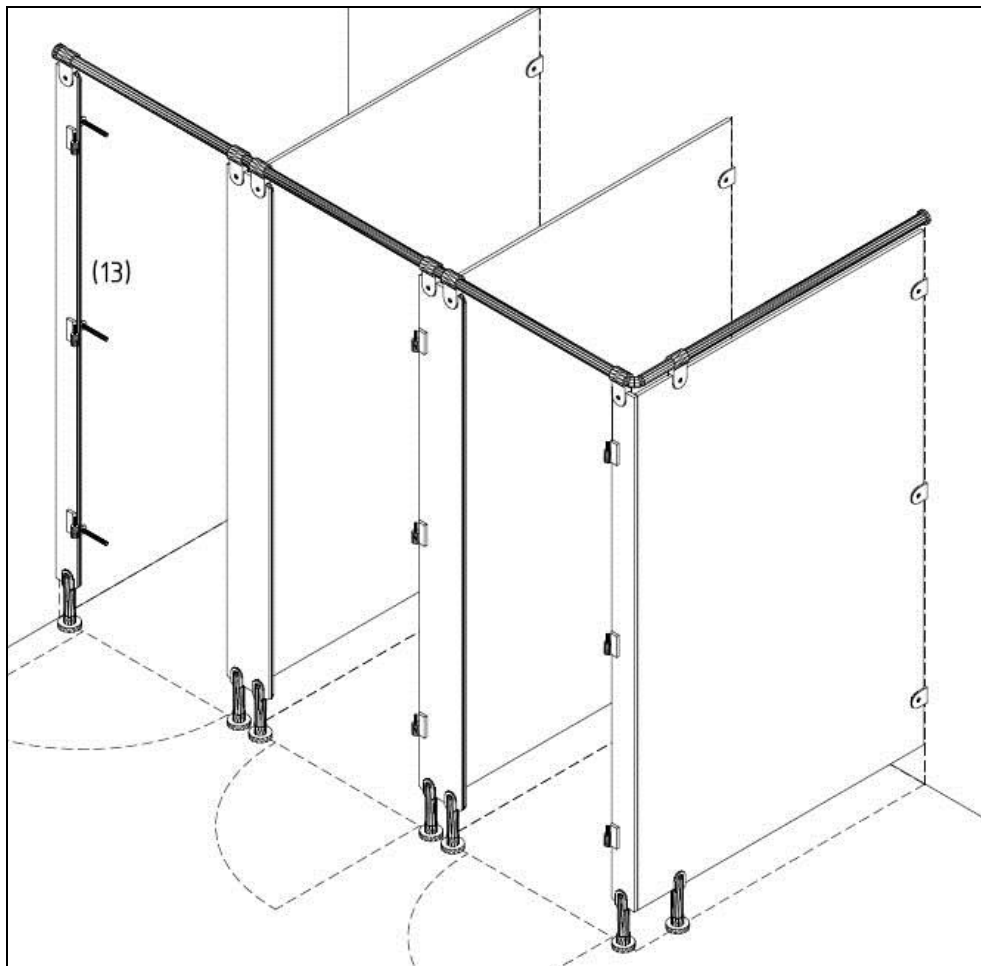


(F) MOUNTING THE ADJUSTMENT PANEL AT WALL'S HEIGHT

(11) Join the different parts of the stabilization profile by means of the screw threads. This way you will create an L-shape. Put the stabilization profile with brackets leveled across the front panels and the side wall without fixing it.

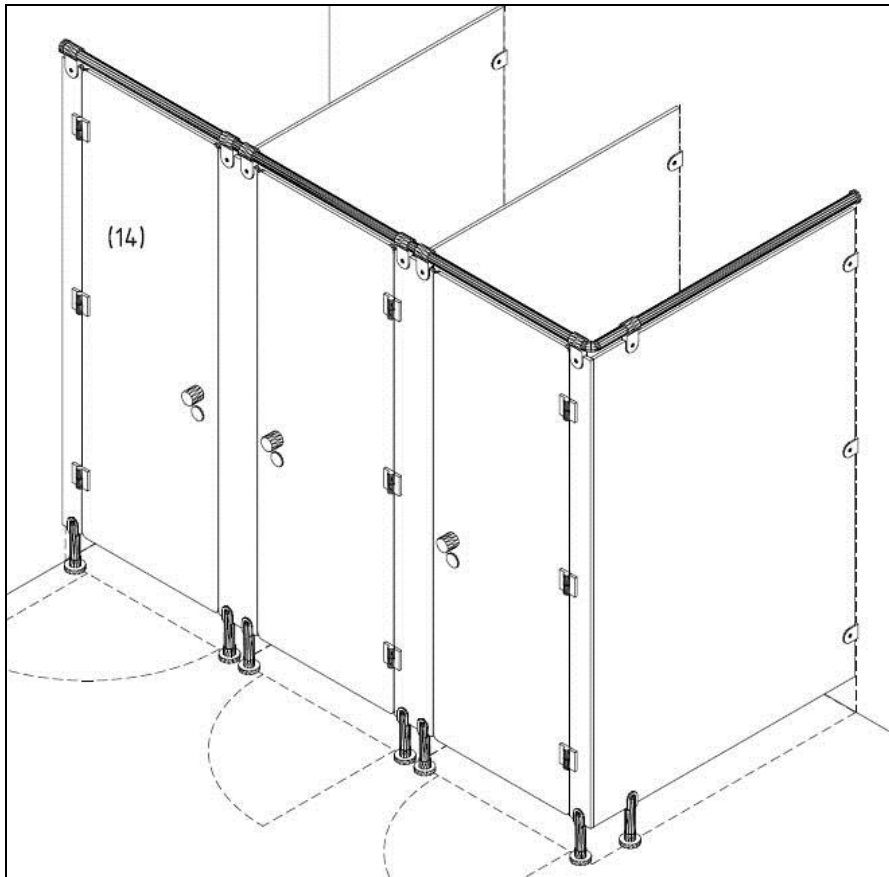
Tighten or loosen the supports in order to perfectly level the stabilization profile.

(12) The spot where the stabilization profile touches the wall determines the position of the adjustment panel against the side wall.



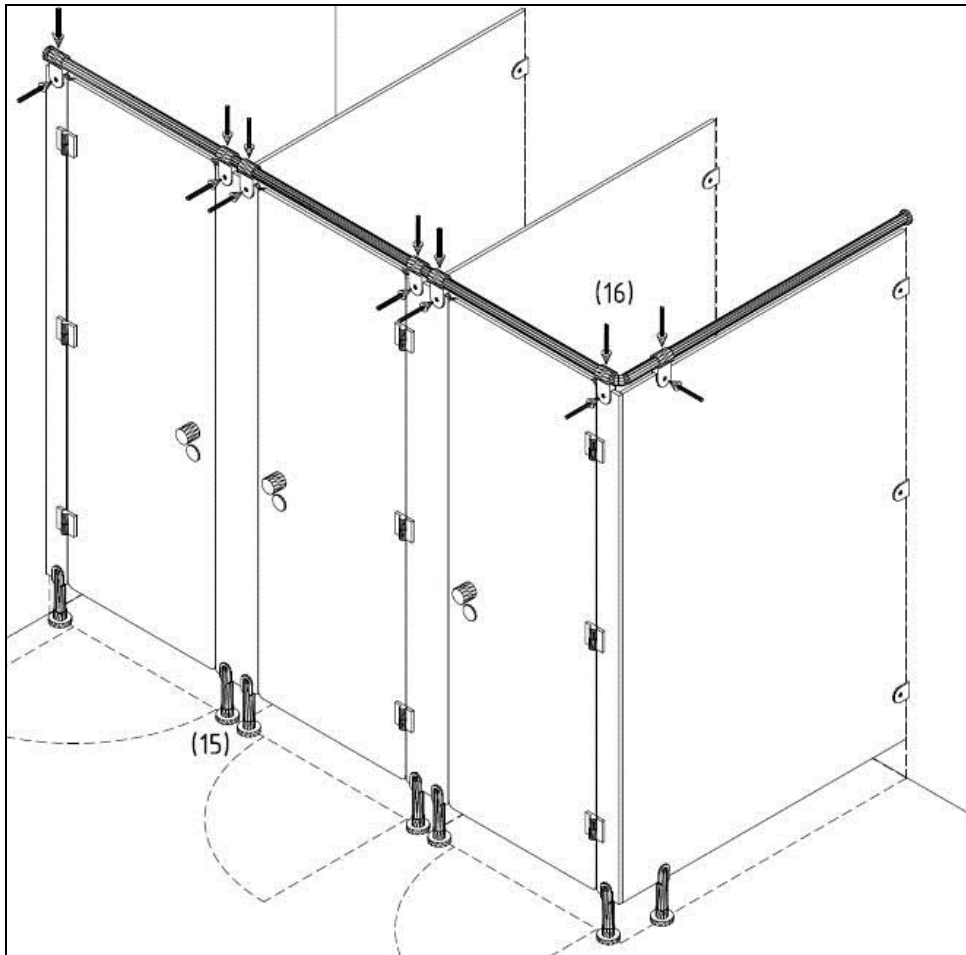
(G) MOUNTING THE ADJUSTMENT PANEL AT WALL'S HEIGHT

(13) Slide the adjustment panel with the already fixed support and nylon L-pieces against the side wall. Verify whether the panel is leveled and fix at the nylon L-pieces' height.



(H) MOUNTING THE DOORS

(14) Hang the doors equipped with hinges, doorknobs and vacant/occupied locks to the adjustment/front panels. The doors are self-closing by means of spring hinges. Adjust the hinges so that the doors fall straight into the rebate.



(I) ADJUSTING & FIXING

(15) After everything has been adjusted, the supports may be tightened to the floor. If necessary, the supports can first be adjusted.

(16) Finally the brackets of the stabilization profile will be fixed along the sides to the front and adjustment panels, and will be fixed at the top to the stabilization profile.