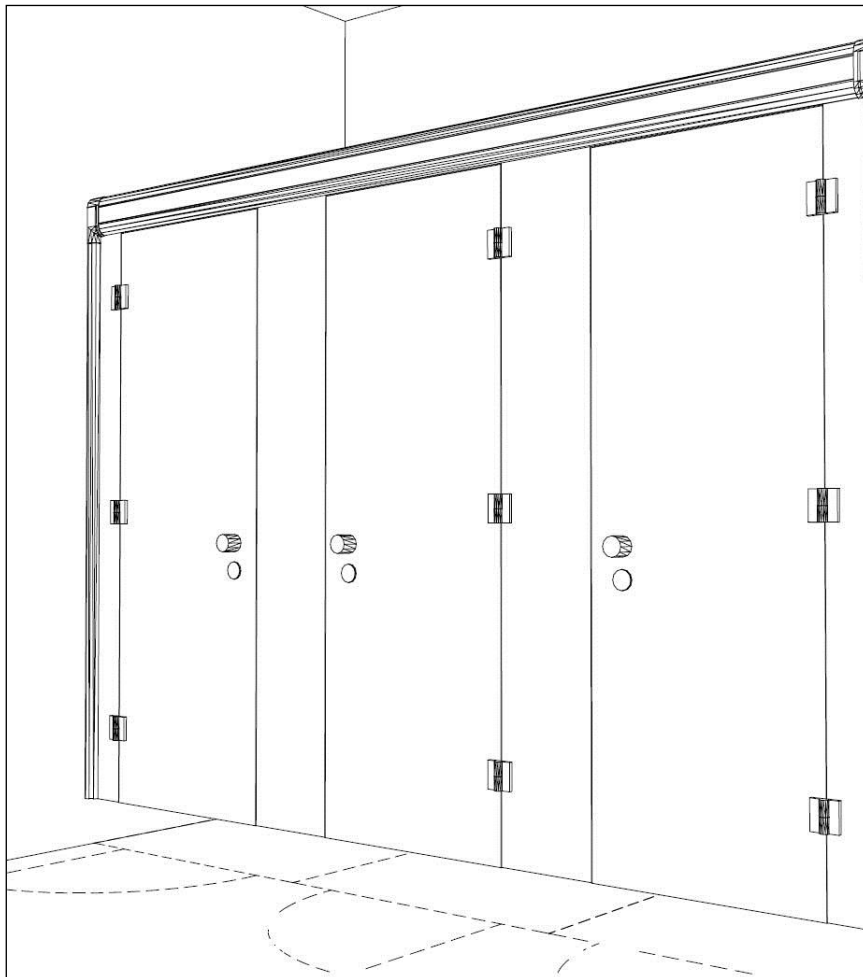




Installation instructions

SANI-CAB® MASTER-LINE



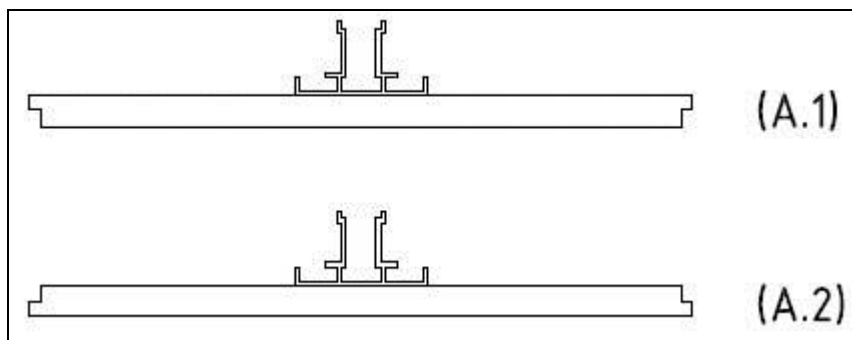
Woudstraat 3, Poort 215
B-3600 Genk
tel. (+32) 89 38 09 08
fax. (+32) 89 38 27 46
intersystems@skynet.be
www.inter-systems.be

(A) Before starting your installation...

(* Fix all doorknobs, vacant/occupied locks, hinges, supports,... at the appropriate spots on the front, side, adjustment and door panels. The holes are already predrilled.

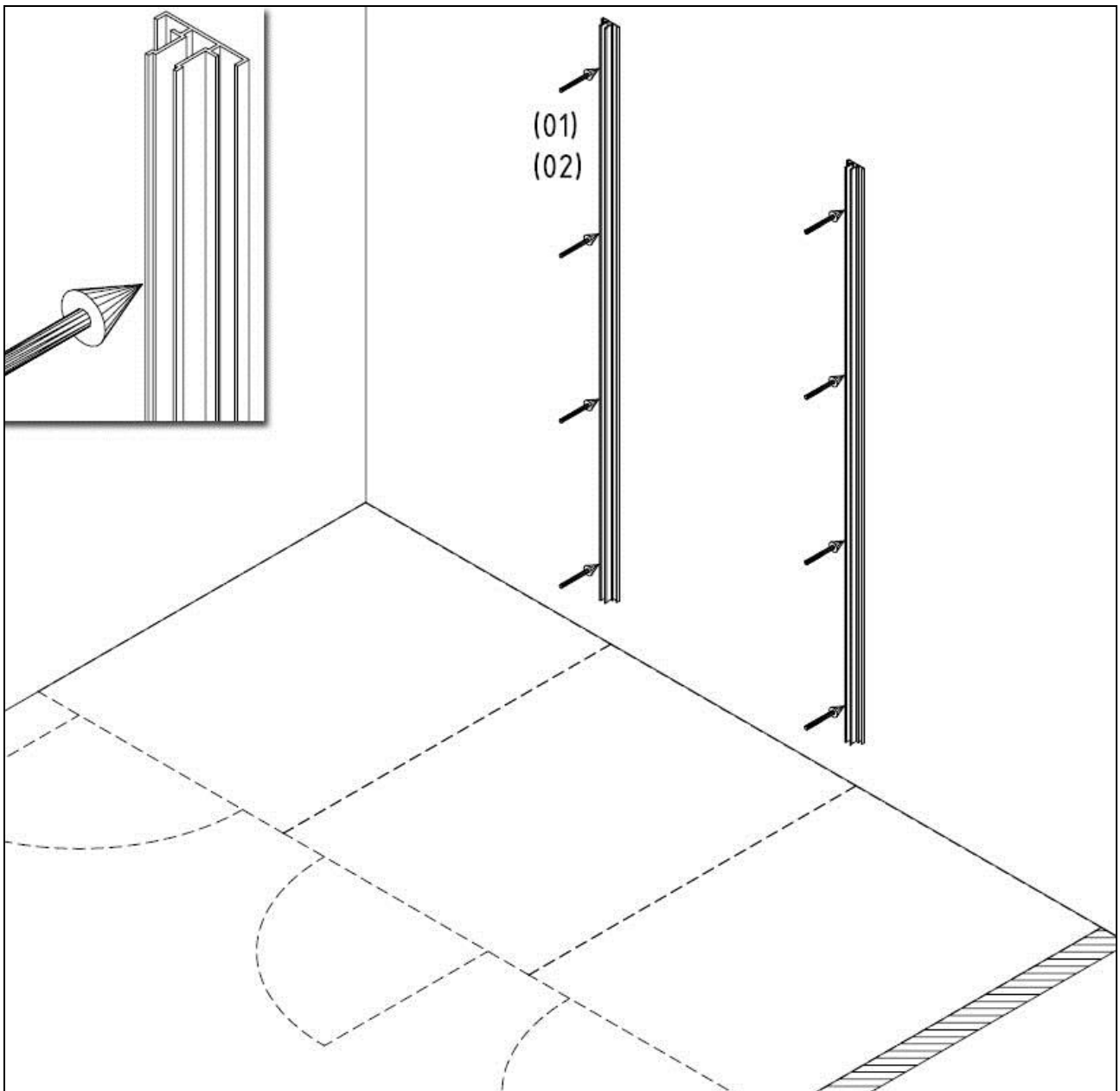
(* Mount a Π - profile at the right spot of each front panel (depending on the position: not necessary in the middle). Make sure not to drill deeper than +/- 1 cm into the panel in order to avoid damaging the front side of the panel.

The front panel and the Π – profile should be at the same level at the bottom, in other words the Π - profile should be at the same height with the bottom of the front panel.



(* Please note that for an outwards turning door, the rebate of the front panels should point to the outside (A.1), and for an inwards turning door, vice versa (A.2). Mount the Π – profile at the right side. The turn direction also determines the position of the vacant/occupied lock: on the door (A.1) or on the adjustment/front panel(A.2).

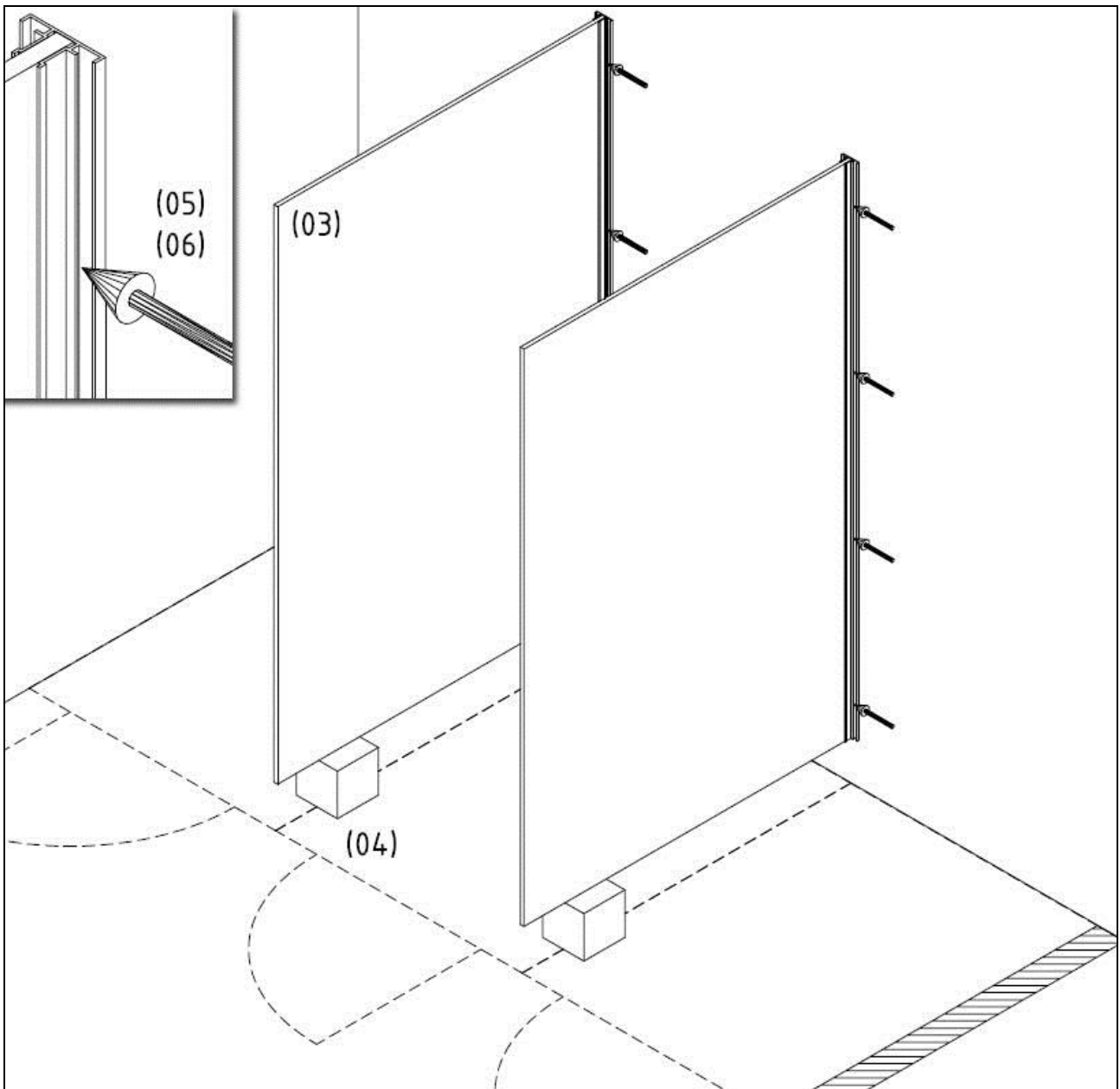
(* Always use the right type of screws, please see the list per unit on the packing.



(B) MOUNTING THE Π -PROFILES FOR THE INTERMEDIATE WALLS

(01) Measure the position where the Π – profiles for the intermediate walls should be mounted.

(02) Mount the Π -profiles against the back wall. Make sure these are perfectly leveled and at exactly 15 cm from the floor. Please use a level and the supplied screws.



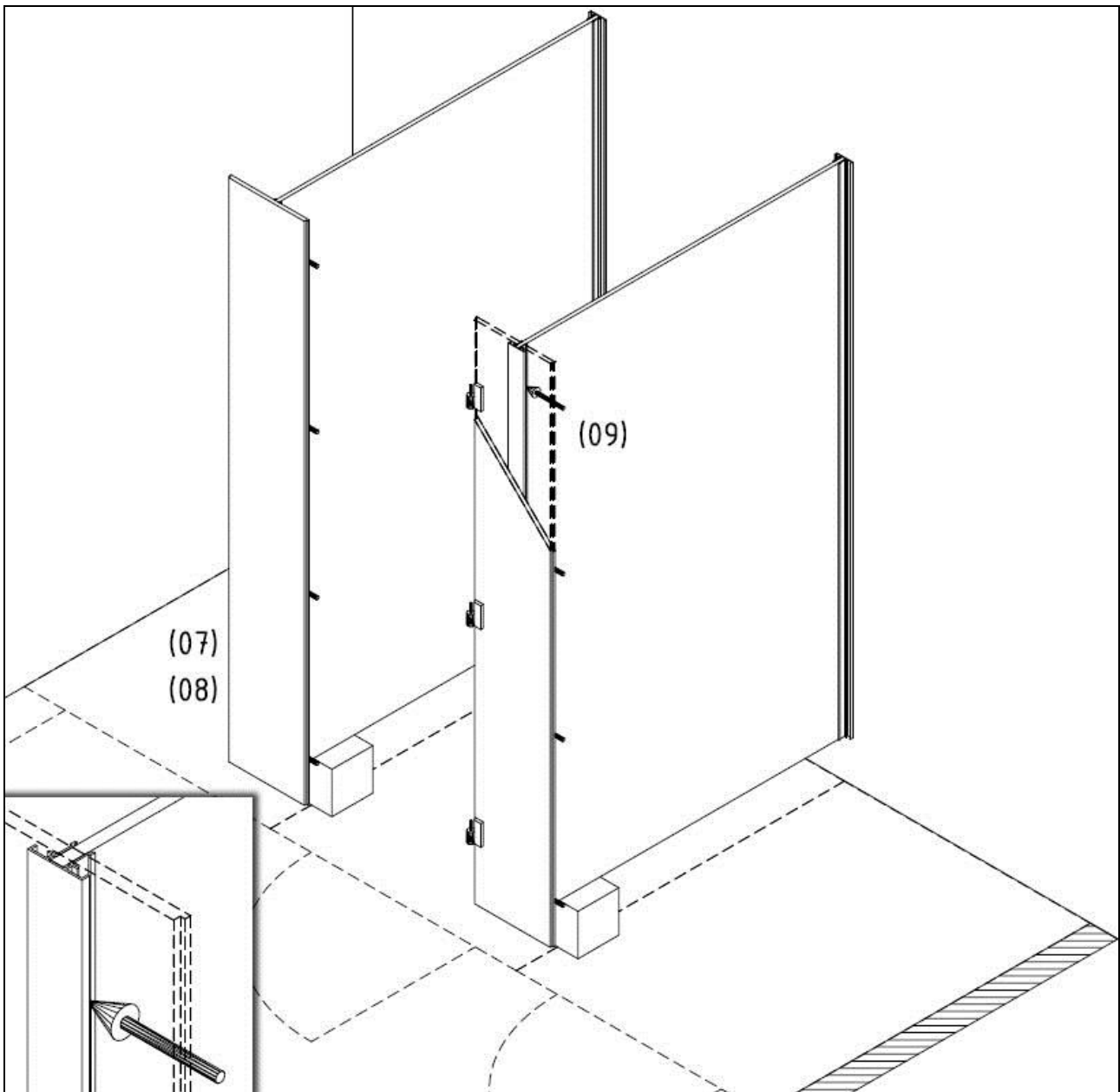
(C) MOUNTING THE INTERMEDIATE WALLS

(03) Slide the intermediate walls in the recently mounted Π - profiles.

(04) Put a bloc of exactly 15 cm height under the front of the intermediate wall as support. Perfectly level the intermediate wall.

(05) Drill a hole through the profile and wall.

(06) Mount with a screw-bolt connection.

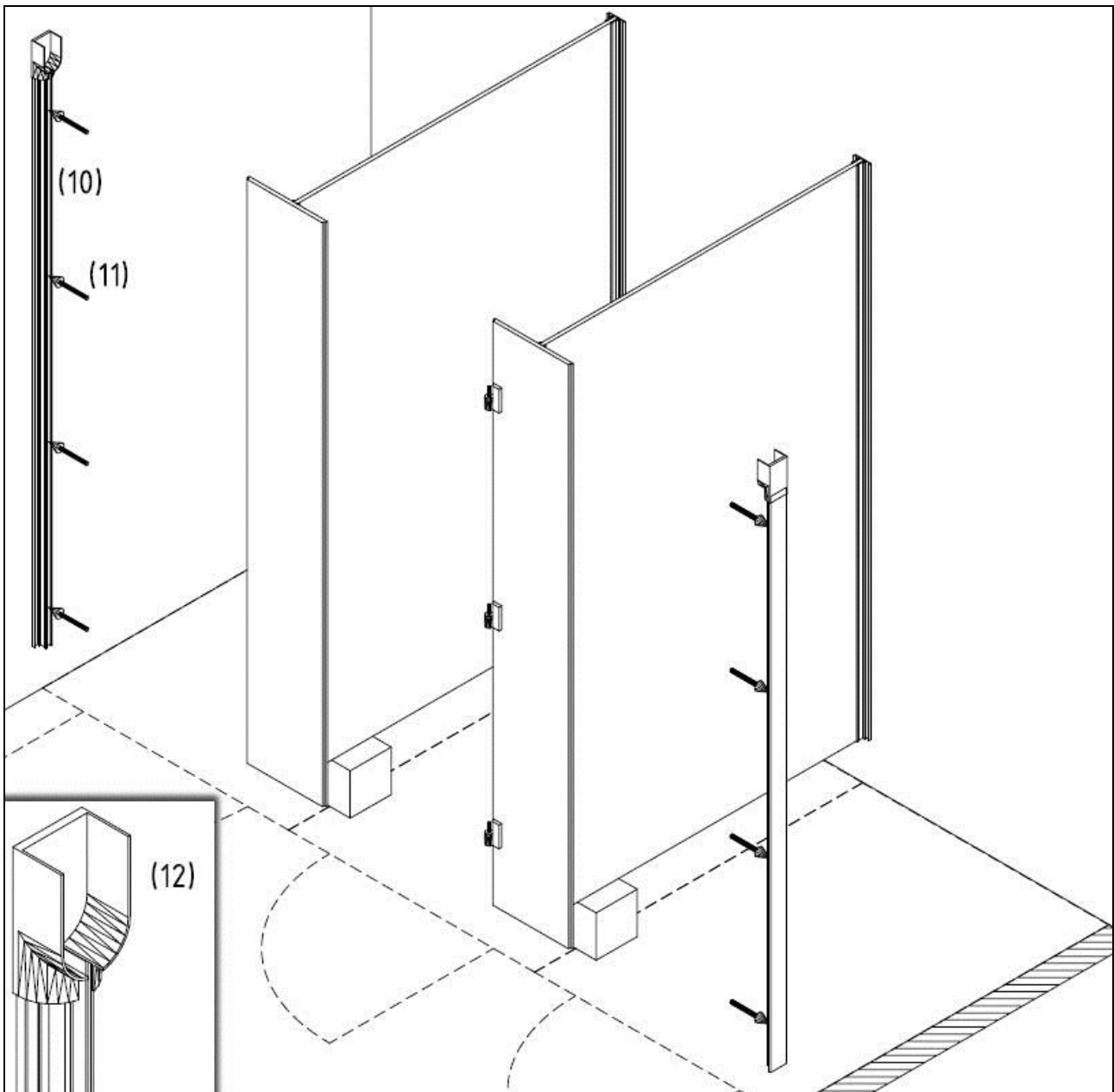


(D) MOUNTING THE FRONT PANELS

(07) Mount the front panel (with the previously fixed fittings and Π - profile) to the present intermediate walls.

(08) Please verify whether the bottom of the front panel and intermediate panel are at the same height. The front panel rises above the intermediate panel a bit.

(09) Mount the intermediate panel to the front panel as shown on image C.

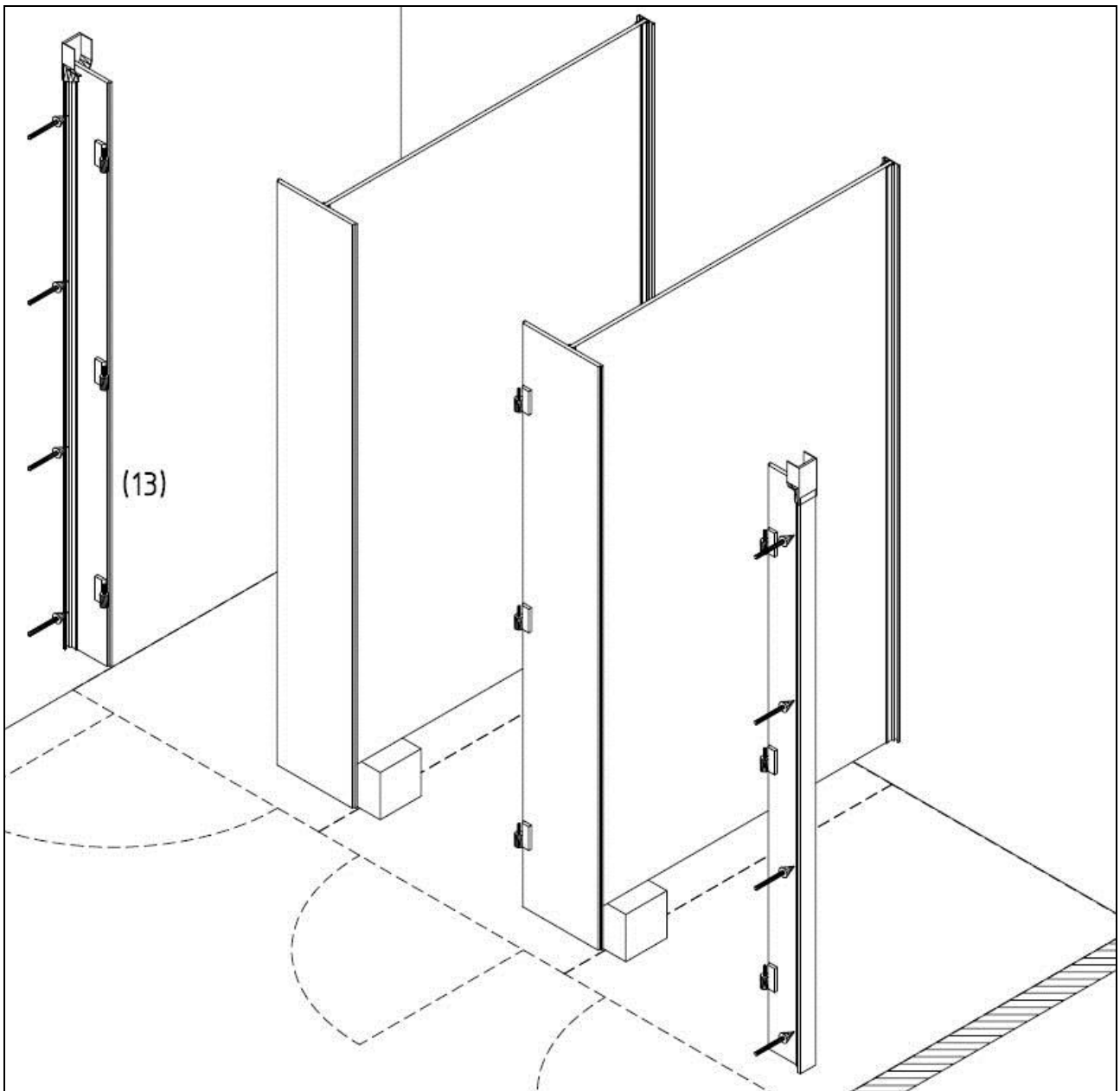


(E) MOUNTING THE Π -PROFILES FOR THE ADJUSTMENT PANELS

(10) Measure the positions where the adjustment panels should be mounted to the present side walls. Make sure that these will be on the same axis as the front panels.

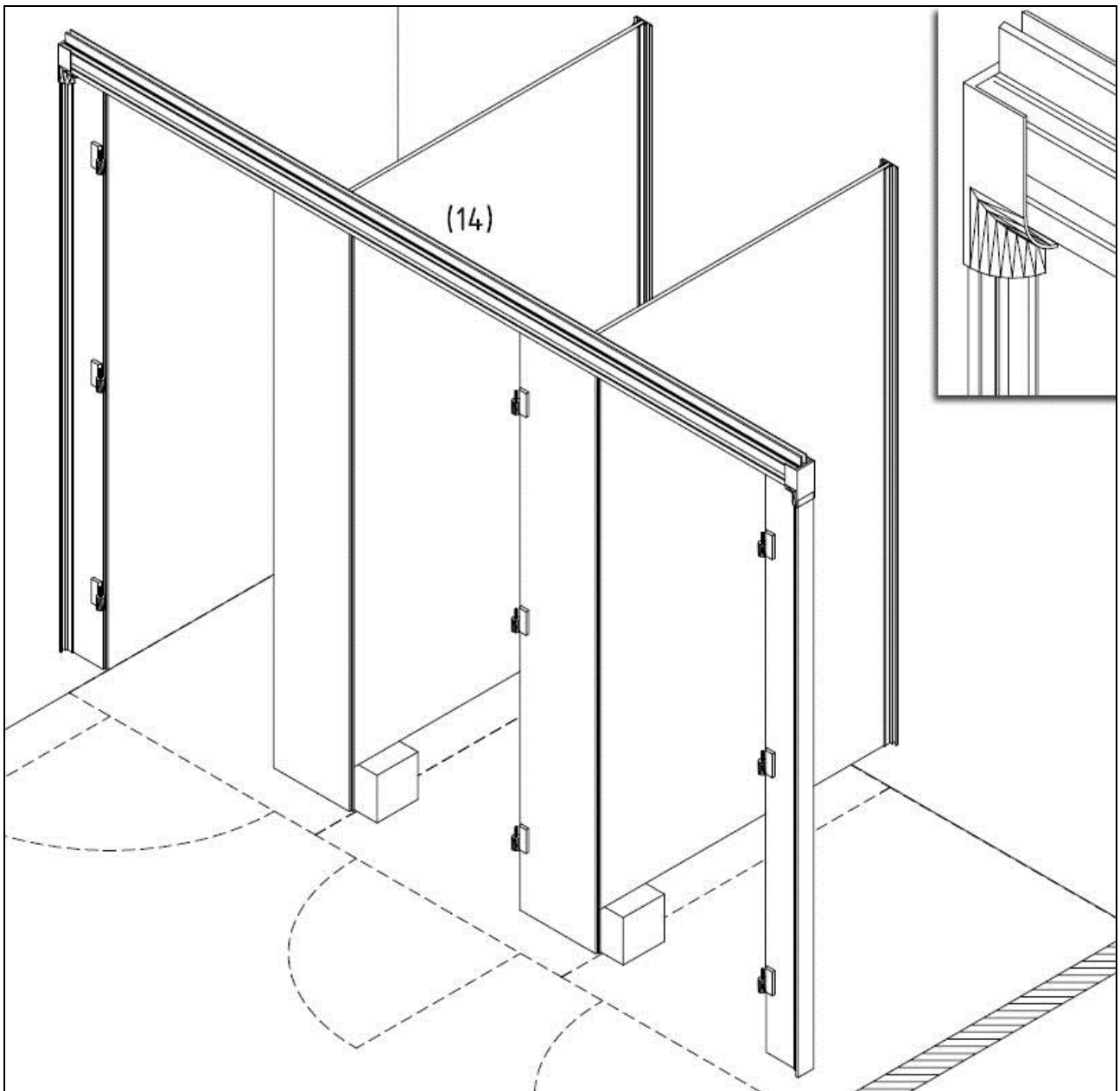
(11) Fix the Π – profile to the wall, as shown on image B, again at exactly 15 cm from the floor.

(12) Put on top of the Π - profile a special U-shaped support for the stabilization profile.



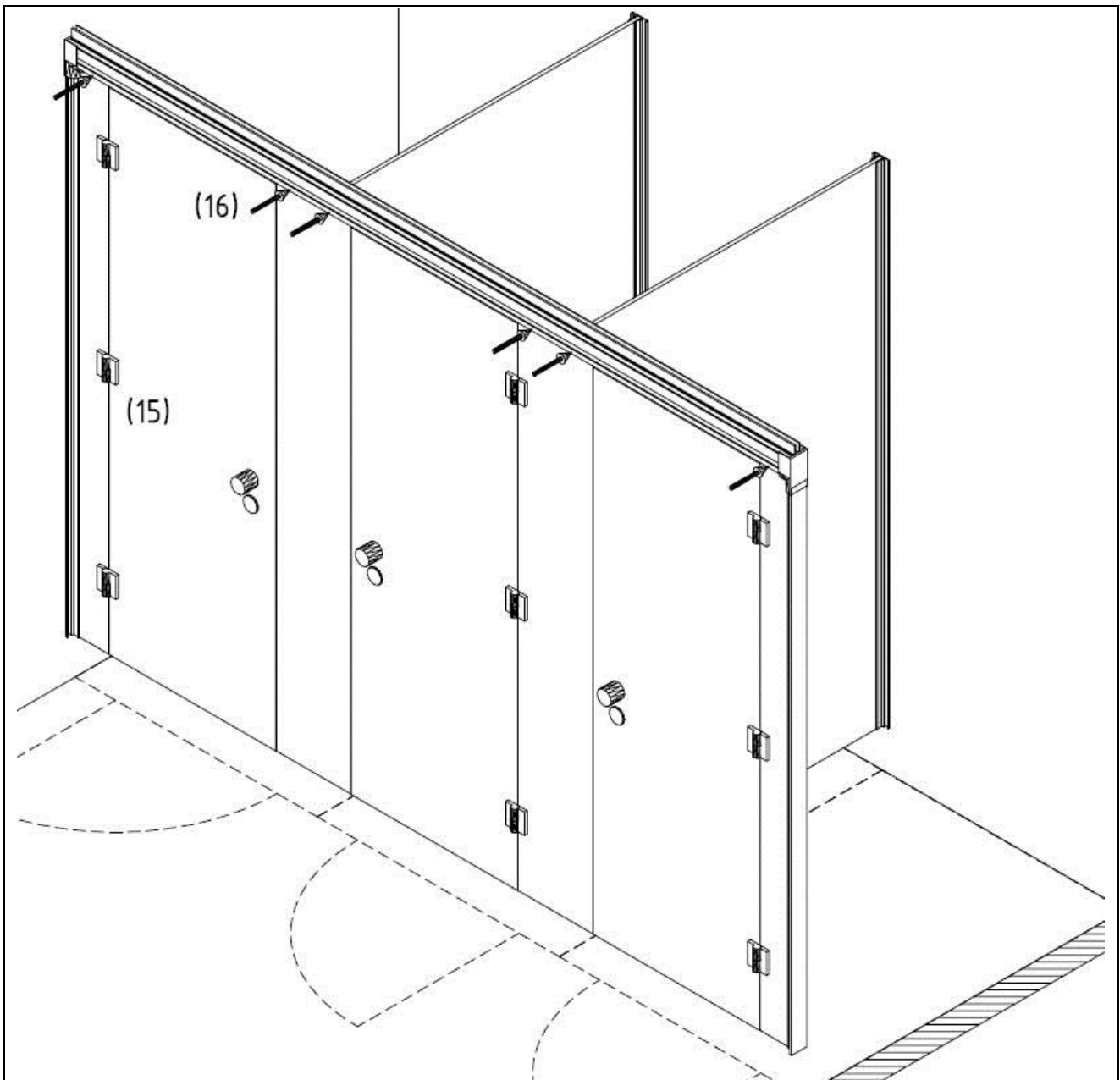
(F) MOUNTING THE ADJUSTMENT PANELS

(13) Mount the adjustment panels in the recently fixed Π - profiles as shown on image C. Make sure that the panels are perfectly leveled at exactly 15 cm from the floor. The adjustment panel rises above the Π -profile a bit.



(G) MOUNTING THE STABILIZATION PROFILE

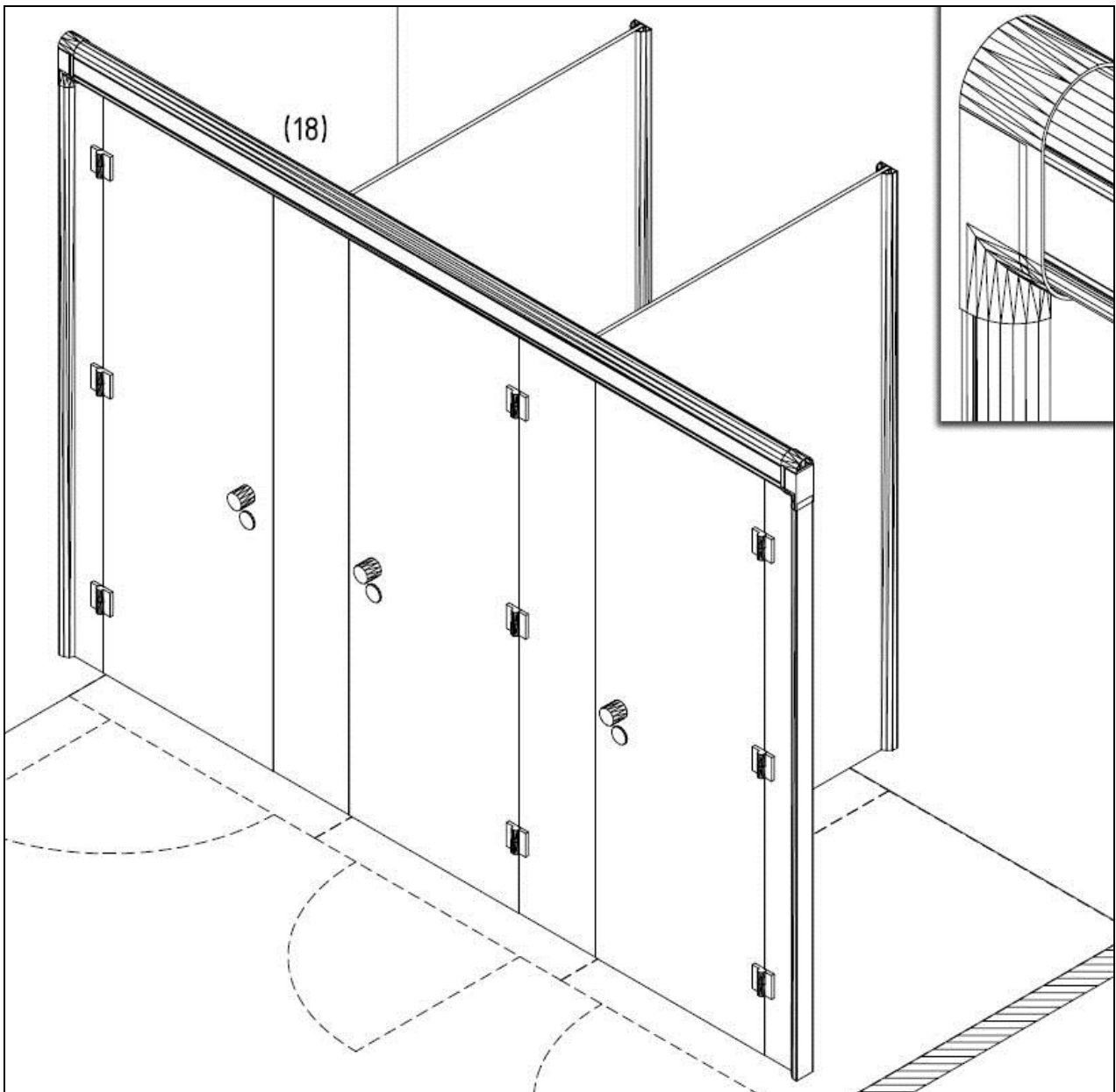
(14) Place the stabilization profile across the adjustment and front panels without fixing it and without the rounded closing profiles.



(H) MOUNTING THE DOORS

(15) Hang the doors equipped with hinges, doorknobs and vacant/occupied locks to the adjustment/front panels. Adjust the hinges where necessary, so that the doors fall straight into the rebate. The doors are self-closing by means of spring hinges.

(16) After everything has been well-adjusted, the stabilization profile may be connected to the adjustment and front panels. The fixation is done the same way as the Π - profiles with screw and bolt.



(I) FINISHING

(17) When the stabilization profile has been connected with the panels, the system is self-supporting and the blocs at the bottom may be removed.

(18) To finish off, the rounded corner profiles should be put onto the Π - profiles and the stabilization profile.

(19) Finally mount the closing caps at the same height where the stabilization profile connects to the existing wall.



(J) Vertical 80 x 80 posts

In case of a corner position or a unit consisting of more than 4 cubicles, please use a vertical 80 x 80 mm profile as support. Use the II – profiles the same way as with the fixation to the existing wall.